



Easy Lineset Duct

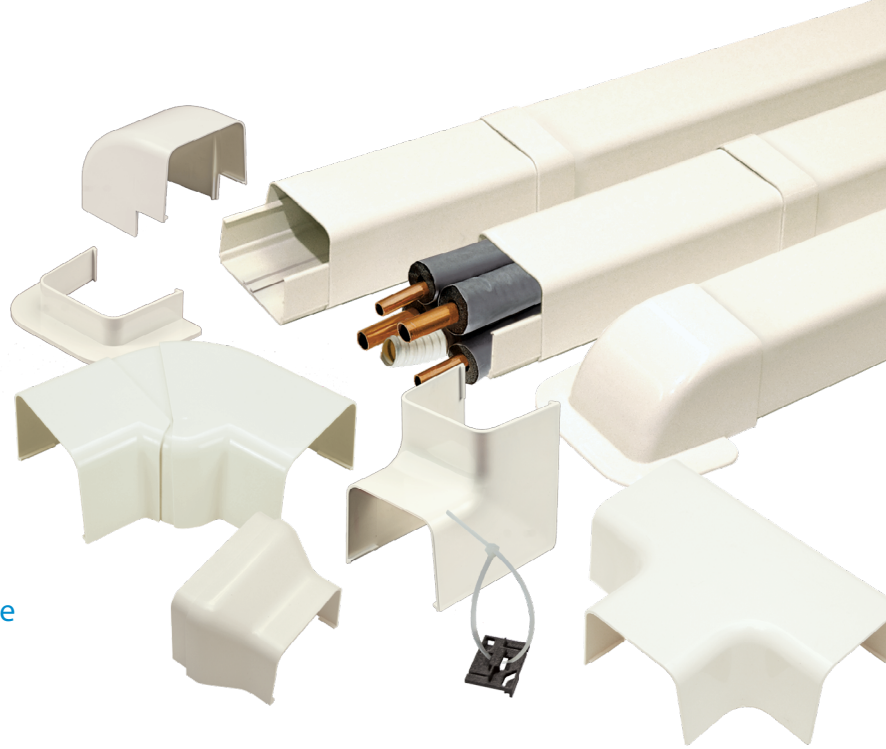


For mini splits and conventional split systems

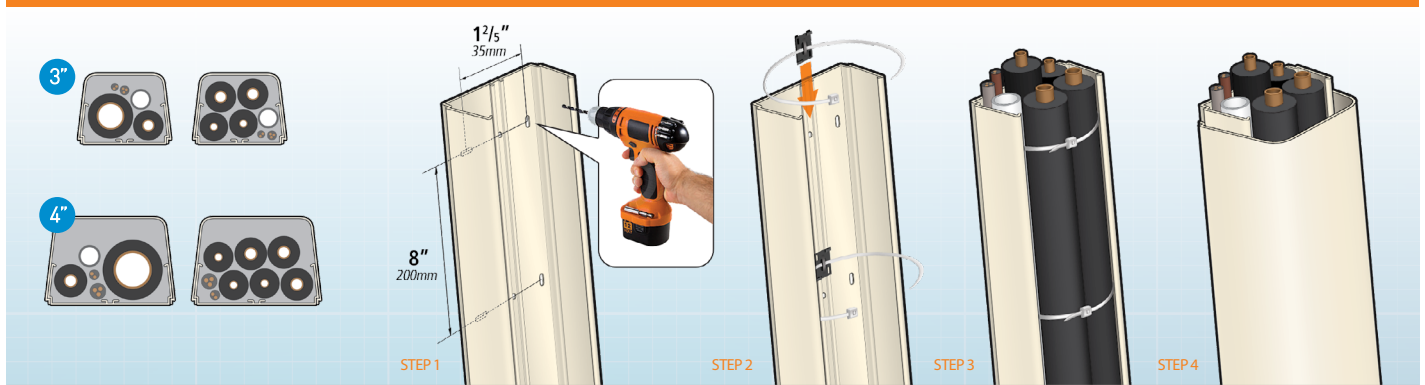
Use our duct range to protect the linesets against deterioration due to climatic conditions.

Key features

- Impact resistant
- UV resistant
- Wide temperature range
- Snap together / Quick and easy
- Removable protective film (Ducts Only)
- Less time & Labor costs
 - One person can quickly and easily install
 - Unique clips & tie wraps keep tubing in place during installation



Easy install



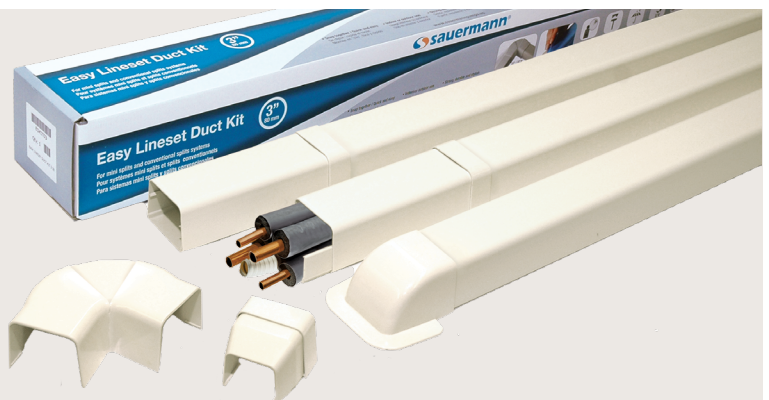
Easy Lineset Duct Kit

Everything you need for a typical job in one convenient kit!

Available in 3" and 4" sizes

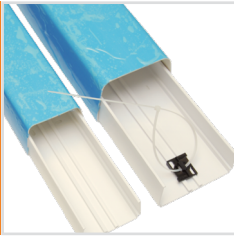
SAUERMANN PART #S

ED3000SIUS00 3" size Duct Kit
ED4000SIUS00 4" size Duct Kit



Duct and Accessories

DUCT LINE



To contain and conceal pipes, and cables. Compact duct with protection film, includes 3 lineset clips and tie wraps per length of duct. Each piece is 6'6" (2m).

Model	Qty
DUE80	8 pcs.
DUE110	8 pcs.

LINESET CLIP



Slides on the railing in the duct. Secures the pipework inside the ducting. Each clip comes with an 11" (280mm) tie wrap.

Model	Qty
CLIP	24 pcs.

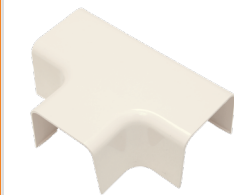
COUPLING SLEEVE



Snaps on to connect two duct pieces together.

Model	Qty
CSE80	10 pcs.
CSE110	10 pcs.

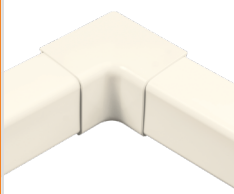
TEE JOINT



Extremely useful for branching of pipes and cables on multiple split installations. Can be used with a joint reduction.

Model	Qty
TJE80	10 pcs.
TJE110	10 pcs.

CORNER BEND



To connect two duct pieces at a right, internal angle.

Model	Qty
CBE80	10 pcs.
CBE110	10 pcs.

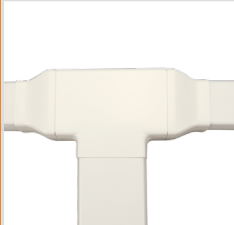
FLEXIBLE SLEEVE



Thanks to its flexibility, installations will become much easier when obstacles (such as eaves or beams) are in the way. Length: 20" (508mm)

Model	Qty
FLES80	10 pcs.
FLES110	10 pcs.

JOINT REDUCTION



To connect two ducts of different sizes. (3"-4" / 80-110mm).

Model	Qty
OTP110	10 pcs.

FLAT BEND 90°



To connect at right angle one horizontal and one vertical duct.

Model	Qty
FBE80	10 pcs.
FBE110	10 pcs.

ADJUSTABLE BEND



Hinges to create a 90°-130° angle.

Model	Qty
ABE80	10 pcs.
ABE110	10 pcs.

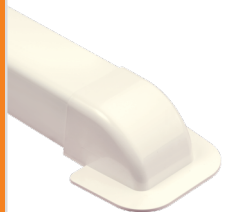
END DUCT TERMINAL



To finish the duct in the wall insertion.

Model	Qty
EDTE80	10 pcs.
EDTE110	10 pcs.

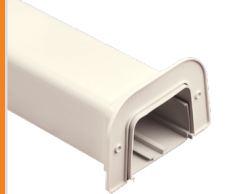
WALL TERMINAL



To cover wall holes and end part of the duct. Fits easily on the end of the duct pieces.

Model	Qty
WTE80	10 pcs.
WTE110	10 pcs.

WALL DUCT



To cover the through wall holes.

Model	Qty
WDE80	10 pcs.
WDE110	10 pcs.

ELBOW BEND



To connect two duct pieces at a right, external angle.

Model	Qty
EBE80	10 pcs.
EBE110	10 pcs.

END FITTING



Fits easily on the end of the duct pieces.

Model	Qty
EFI80	10 pcs.
EFI110	10 pcs.